

**Miniatursummer AL-28SW09-PT** Art.-Nr.: 165055

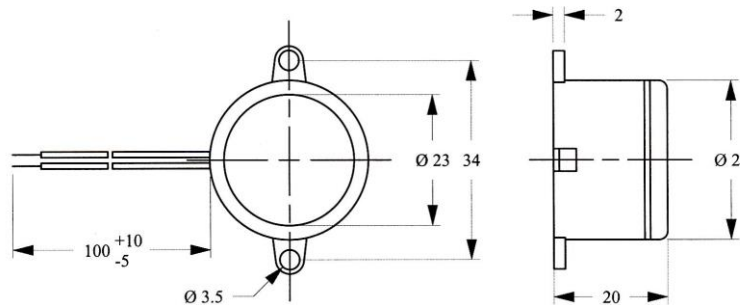
**Specification :**

TYPE	UNIT	AL-28SW09-PT
• Min. Sound Output at 30cm	dB	80
Rated Voltage	V <sub>DC</sub>	9
Operating Voltage	V <sub>DC</sub>	6~11
Resonant Frequency	Hz	2900±300
• Max. Current Consumption	mA	10
Pulse Rate at Rated Voltage	Pulse/Sec	2-7
Operating Temperature	°C	-20~+60
Storage Temperature	°C	-30~+70
Weight	g	10

• Value applying at rated voltage

**Dimensions :**

(Unit : mm)



**Frequency Response :**

